

Farwest Display Booth Dimensions

Diagram 1 - Single Unit

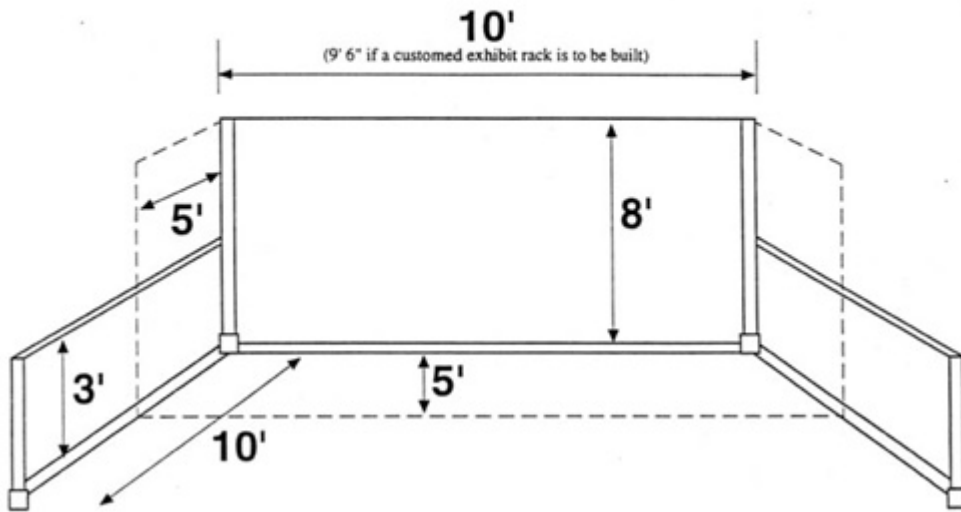
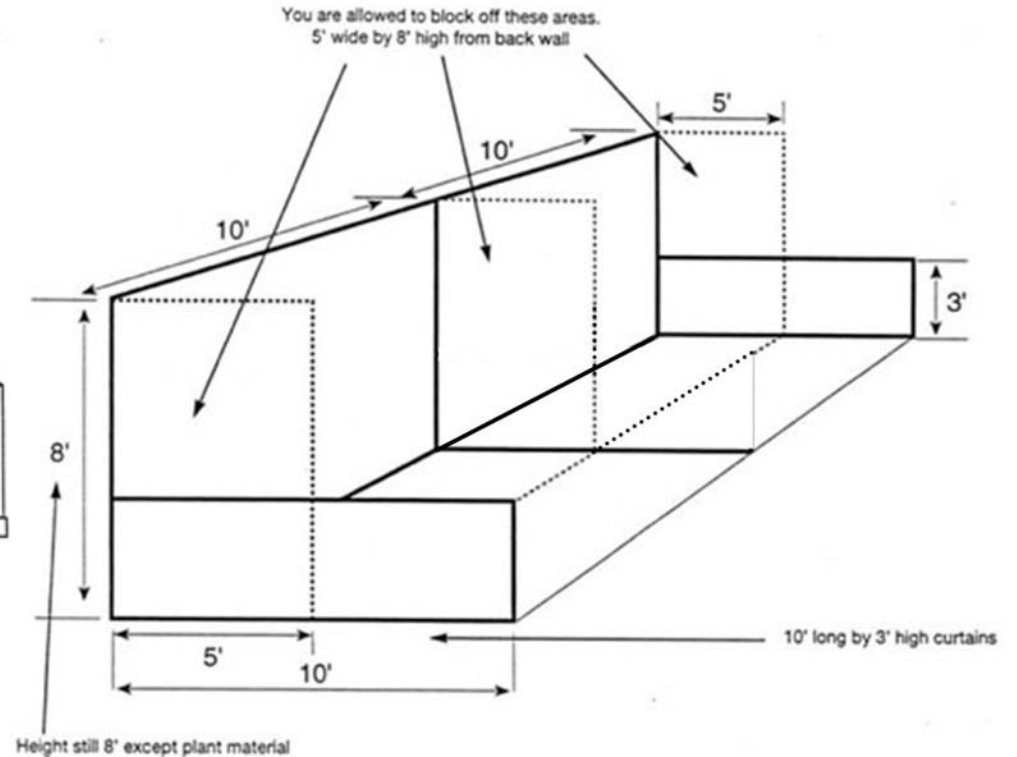


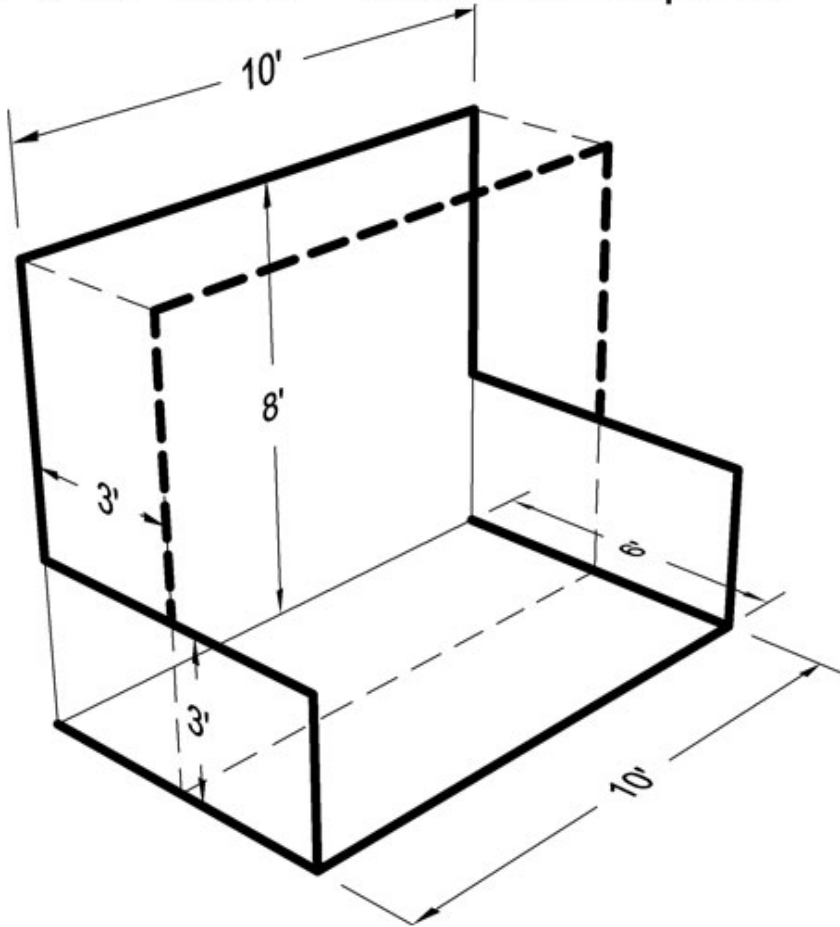
Diagram 2 - Multiple Units



BOOTH DESIGN: In order to ensure a positive experience for all exhibitors, there are specific limitations regarding the set up of your booth. So that you do not block your neighbor, the following rules will be enforced: Each single booth space is 10'x10', includes an 8-foot high backdrop and 3-foot high side curtains that separate you from your neighbor. Within this space, your height restrictions are:

- From the aisle, the first 5-feet is limited to 3-feet in height for solid, display materials. Items exceeding 3-feet must allow attendees to see through your booth to the next exhibit space. This includes plant material.
- From the middle 5-foot mark of your booth toward the backdrop, you may have solid material up to 8-feet in height. Plant material may exceed this. Signage may not.
- If you are building a customized exhibit rack, please note that the side curtains take up 3 inches on each side and that your building width should be 9'6". Otherwise, it may not fit into your booth space.

6' x 10' Booth - Retail Marketplace

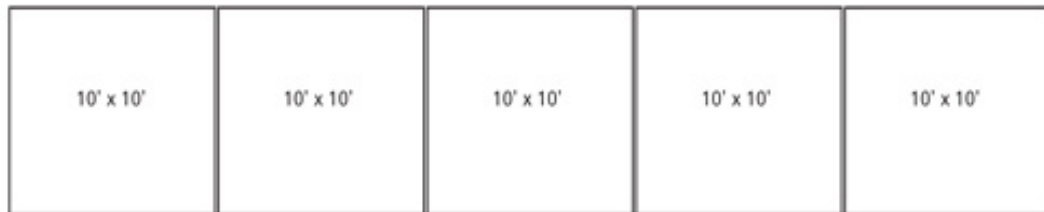


BOOTH DESIGN: In order to ensure a positive experience for all exhibitors, there are specific limitations regarding the set-up of your booth. So that you do not block your neighbor, the following rules will be enforced:

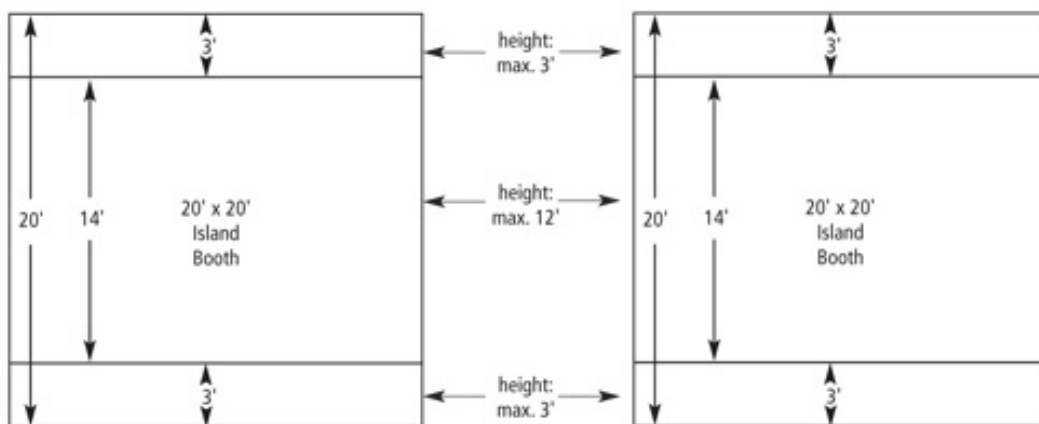
Each single booth space is 6'x10', includes an 8-foot high backdrop and 3-foot high side curtains that separate you from your neighbor. Within this space, your height restrictions are:

- From the aisle, the first 3-feet is limited to 3-feet in height for solid, display materials. Items exceeding
- 3-feet must allow attendees to see through your booth to the next exhibit space. This includes plant material.
- From the middle 3-foot mark of your booth toward the backdrop, you may have solid material up to 8-feet in height. Plant material may exceed this. Signage may not.
- If you are building a customized exhibit rack, please note that the side curtains take up 3 inches on each side and that your building width should be 9'6". Otherwise, it may not fit into your booth space.

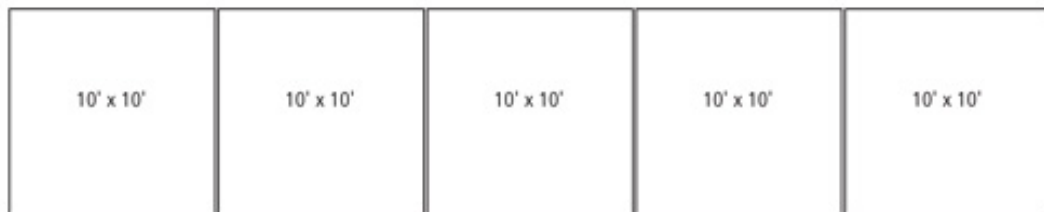
Island Booth Diagram



A I S L E



A I S L E



Each Island space is 20'x20' (or 20'x40') and does not include pipe and drape. In order to be a good neighbor, the following height restrictions will be enforced:

- Where the island faces a series of 10'x10' booth spaces, the first 3-feet is limited to 3-feet in height for solid, display materials. Items exceeding 3-feet must allow attendees to see through your booths to the next exhibit space. This includes plant material.
- Where the island faces a neighboring island space or wall, the 12-foot height restriction may be utilized up to the edge of the booth.